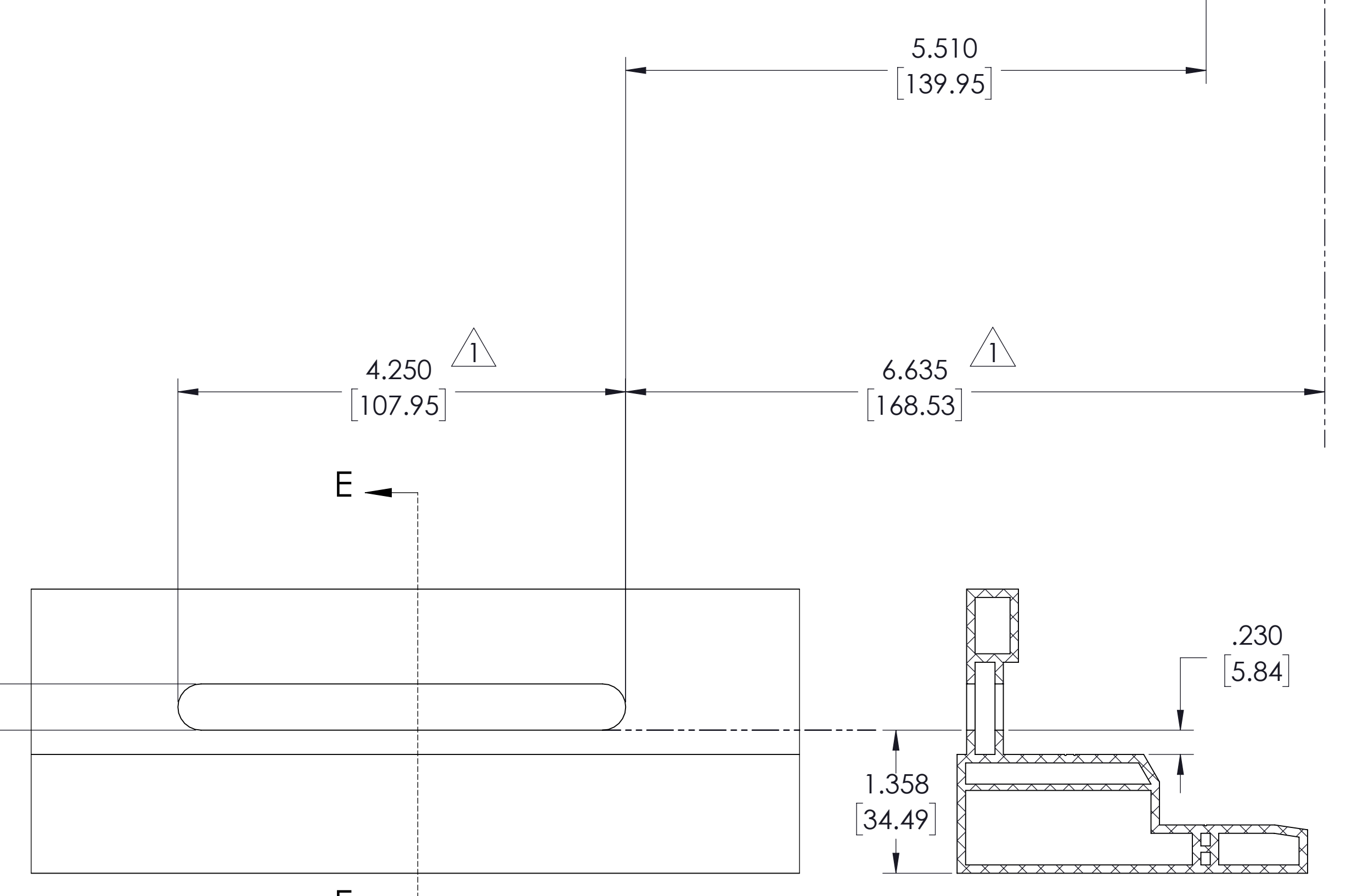
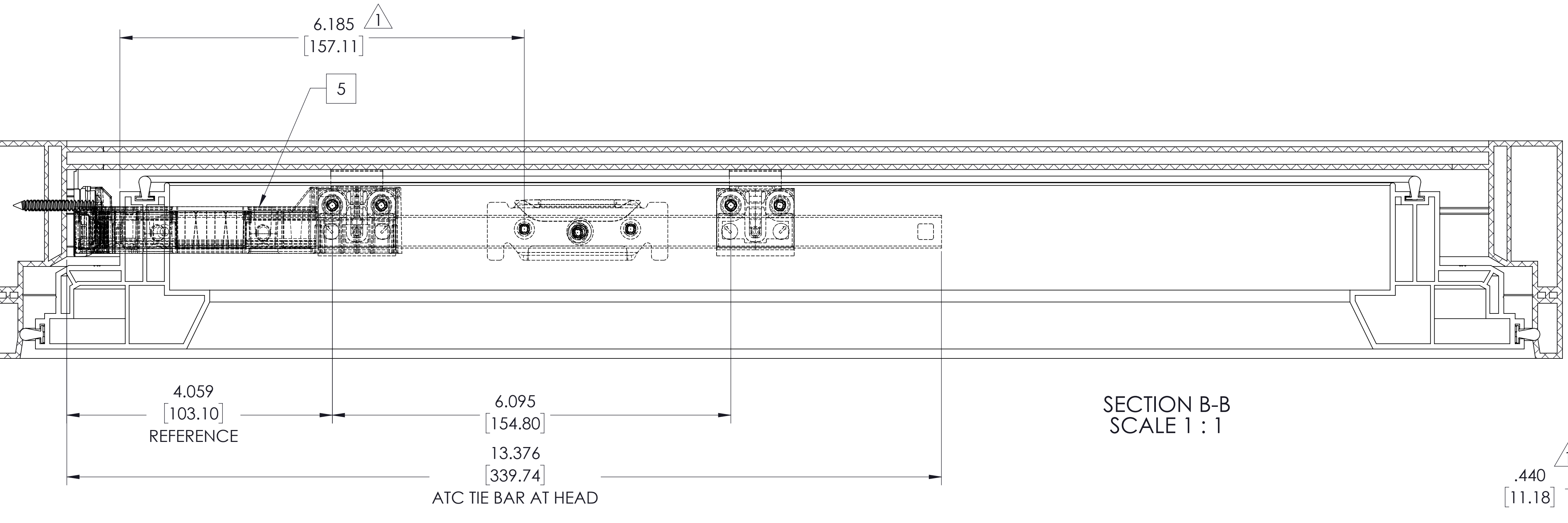
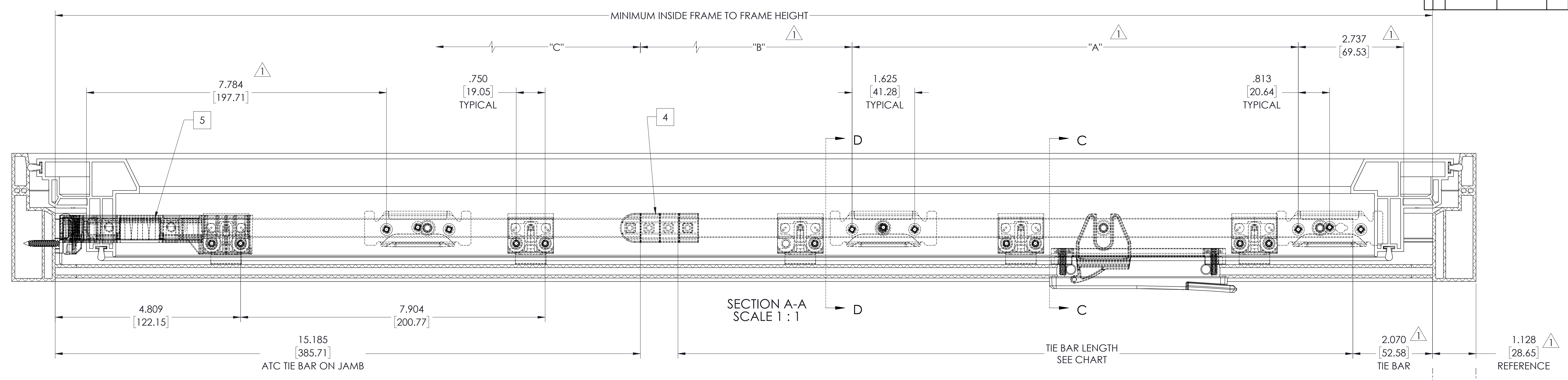


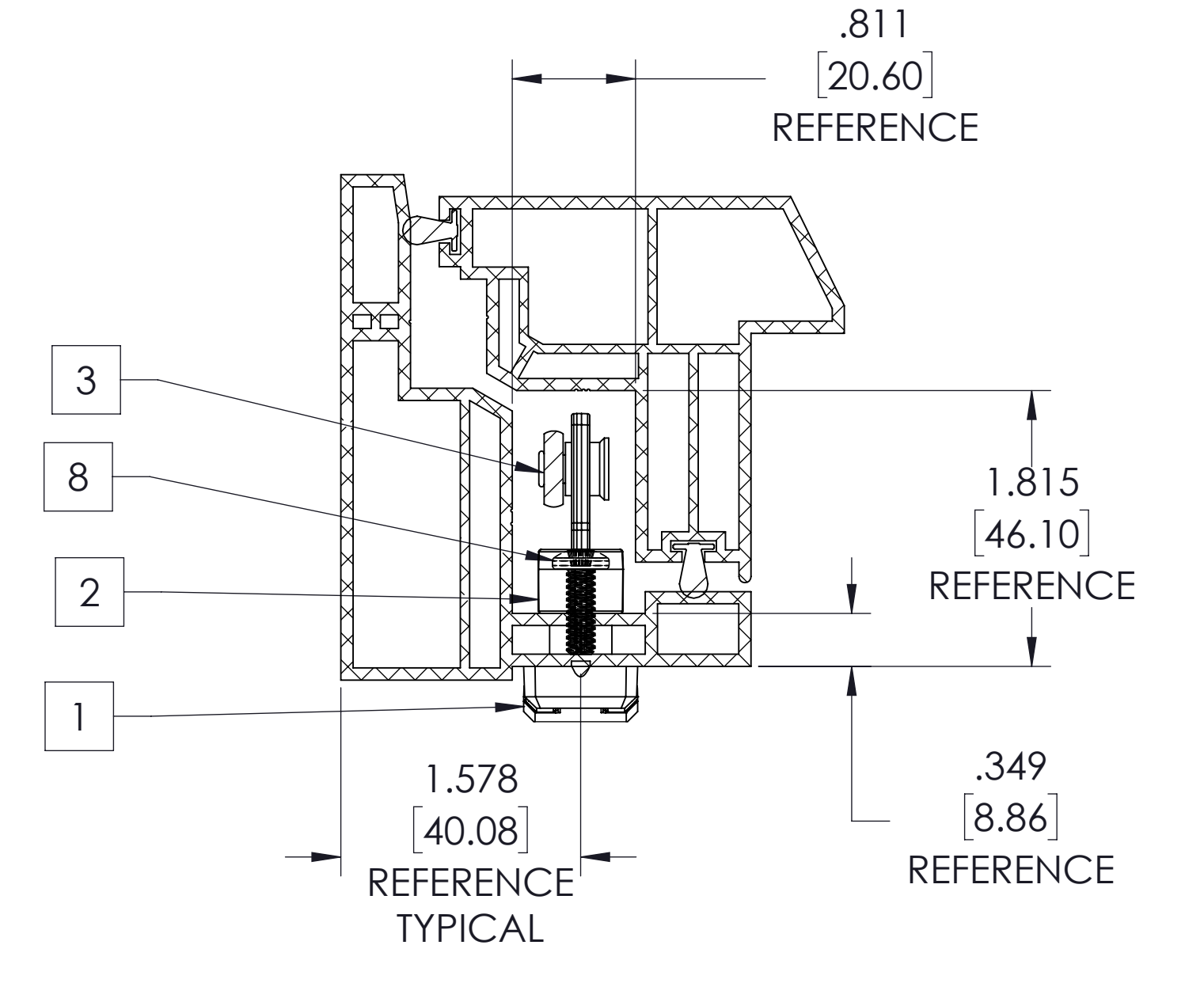
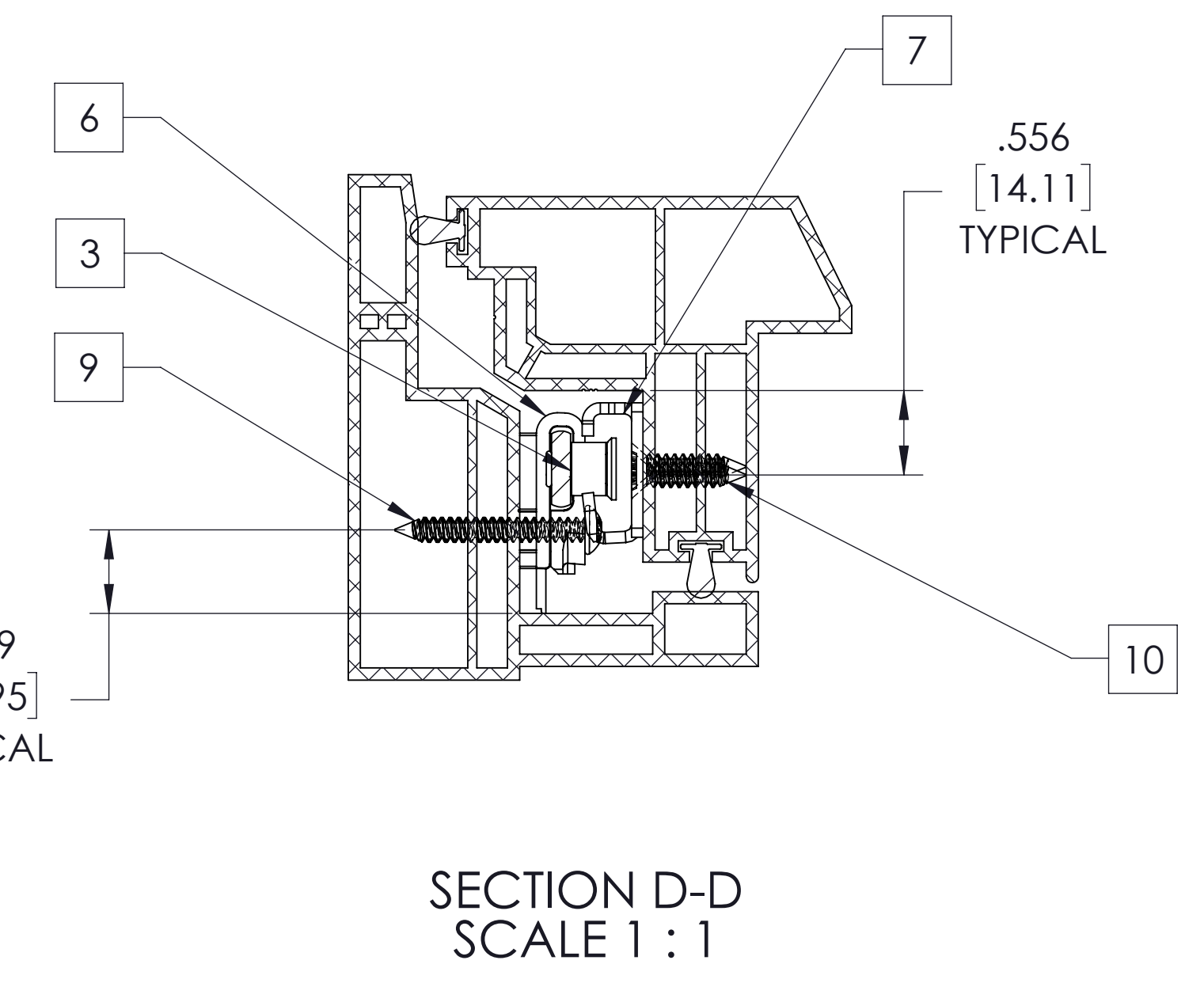
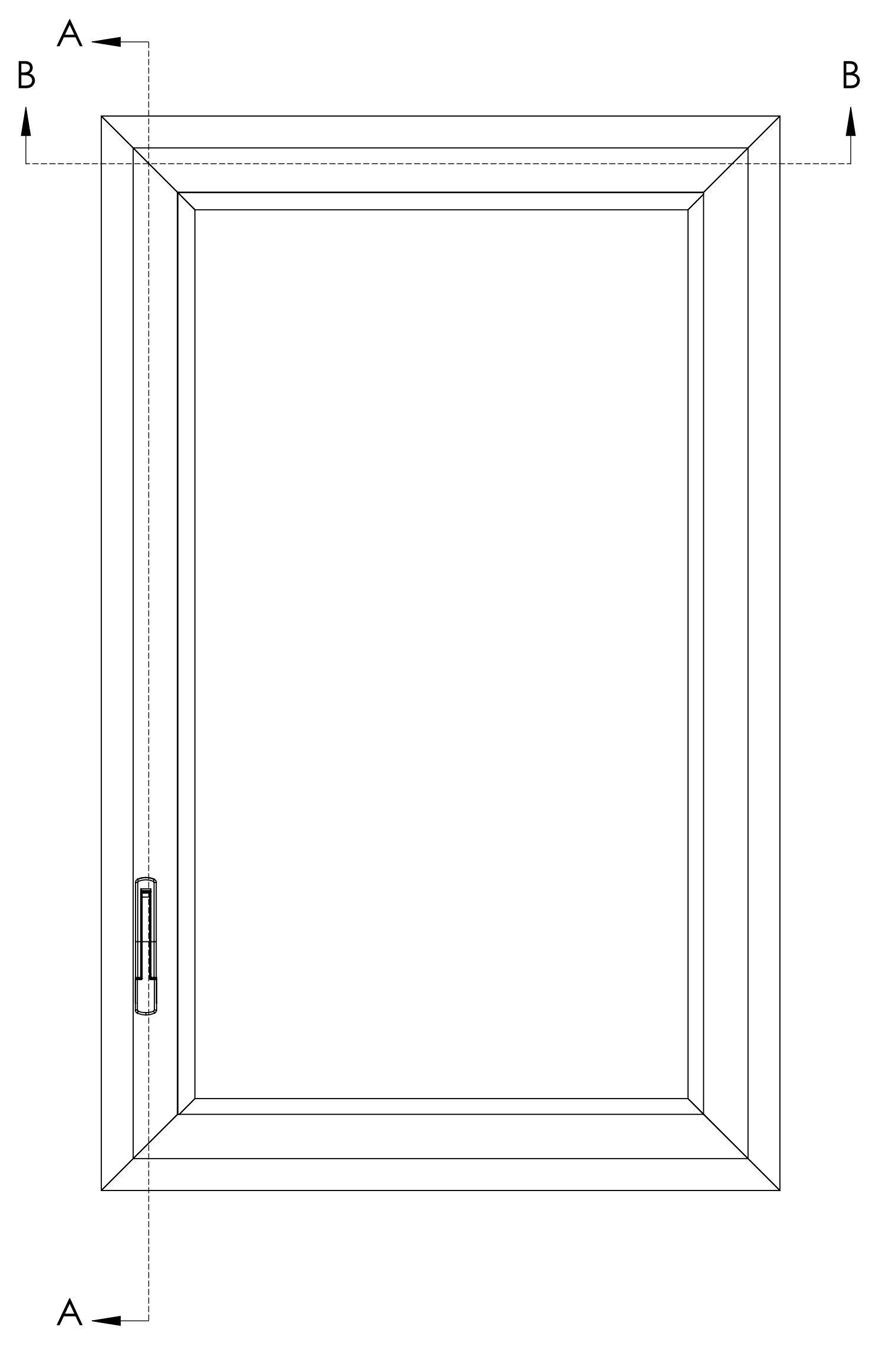
NO.	REV.	DATE	BY
1	CREATED		



- NOTES:
- ACCURACY OF THE INDICATED DIMENSION IS CRITICAL TO THE FUNCTION OF THE MULTI-POINT LOCK.
 - "B" & "C" DIMENSIONS ARE FOR FOURTH, FIFTH AND SIXTH LOCKING POINTS NOT SHOWN. FOR KEEPER AND TIE BAR GUIDE PLACEMENT, "B" ORIGINATES AT THE THIRD LOCKING POINT, "C" AT THE FORTH.
 - "A" THRU "C" DIMENSIONS ARE CONFIGURED TO GIVE SEQUENTIAL AND PROGRESSIVE LOCKING OF 1/2" TOTAL, STARTING WITH THE FIRST (BOTTOM) LOCKING POINT.
 - TIE BAR TRAVEL IS 1.82" [46.2MM]
 - SEE TRUTH HARDWARE CATALOG FOR FURTHER INFORMATION ON APPLICATION OF MAXIM LOCK COMPONENTS.

MINIMUM INSIDE FRAME TO FRAME HEIGHT	STANDARD PART NUMBER	NUMBER OF LOCK POINTS	TIE BAR LENGTH	"A" DIM	"B" DIM	"C" DIM
69.73"	14971.92	4	53.5	20.88	20.88	5.93
65.73"	14970.92	3	49.5	19.59	19.59	
61.73"	14969.92	3	45.5	17.80	11.85	
57.73"	14968.92	3	41.5	25.80	9.85	
53.73"	14967.92	3	37.5	23.80	7.85	
49.73"	14966.92	3	33.5	21.80	5.85	
45.73"	14965.92	2	29.5	19.88		
41.73"	14964.92	2	25.5	17.88		
37.73"	14963.92	2	21.5	15.58		
33.73"	14962.92	2	17.5	11.58		
29.73"	14961.92	1	13.5			

ITEM NO.	PART NUMBER	DESCRIPTION	QTY.
1	24.42.XX.001	LOW PROFILE LOCK ASSY	1
2	33823	SUPPORT PLATE	1
3	14962.92	TIE BAR ASSEMBLY, MP ATC	1
4	24141.92	LINK	1
5	14876	Around the Corner	1
6	33563.00.0001	GUIDE, A=1.320 B=.430 C=.430	7
7	24081.93	KEEPER, MULTIPOINT NH	4
8	19298	SCREW 10-24 X 9/16 F PH PH MS YZ	2
9	19270	SCREW 8 X 1 1/4 PH PH SMS ZP	14
10	19218.92	SCREW 8X3/4 PH FH SMS YZP	12



TRUTH HARDWARE MAKES NO WARRANTY OR REPRESENTATION OF ANY KIND, EXPRESS OR IMPLIED, WITH RESPECT TO QUALITY, CONTENT, FORM, PERFORMANCE, FITNESS FOR PURPOSE, MERCHANTABILITY OR OTHERWISE OF THE APPLICATION DRAWINGS PROVIDED. THESE DRAWINGS ARE USED AT THE RECIPIENT'S OWN RISK AND TRUTH HARDWARE HAS AND SHALL HAVE NO RESPONSIBILITY FOR RECIPIENTS OR ANY THIRD PARTIES, USE OF THESE DRAWINGS OR ANY OF THE INFORMATION CONTAINED THEREIN. THE RECIPIENT AGREES TO INDEMNIFY, DEFEND, AND HOLD HARMLESS TRUTH HARDWARE AND ITS EMPLOYEES AND THEIR SUCCESSORS AND ASSIGNS FROM AND AGAINST ANY AND ALL CLAIMS, SUITS, LOSSES, DAMAGES OR COSTS INCURRED FROM USING THESE DRAWINGS OR ANY CONTENT THEREOF.

Amesbury Truth
 Equipment Division, Truth Hardware
 700 West Bridge Street
 Owatonna, MN 55060
 Telephone 507-451-5620

THIS DRAWING IS THE PROPERTY OF TRUTH HARDWARE. THE INFORMATION THEREON IS TO BE TREATED AS CONFIDENTIAL. IF IT IS NOT TO BE USED, COPIED, OR DISCLOSED TO OTHER PARTIES, REMOVE OUR WRITER CONSENT.

DRAWN BY: M. NEFF DATE: 03/13/2020
 CHECKED BY: MDN SCALE: 1:4
 PART NAME: MAXIM CASEMENT ATC LOCKING

PROJECT: GENERIC PVC DRAWING NO.: 21257A-9 REVISION: A TITLE: E

DO NOT SCALE DRAWINGS